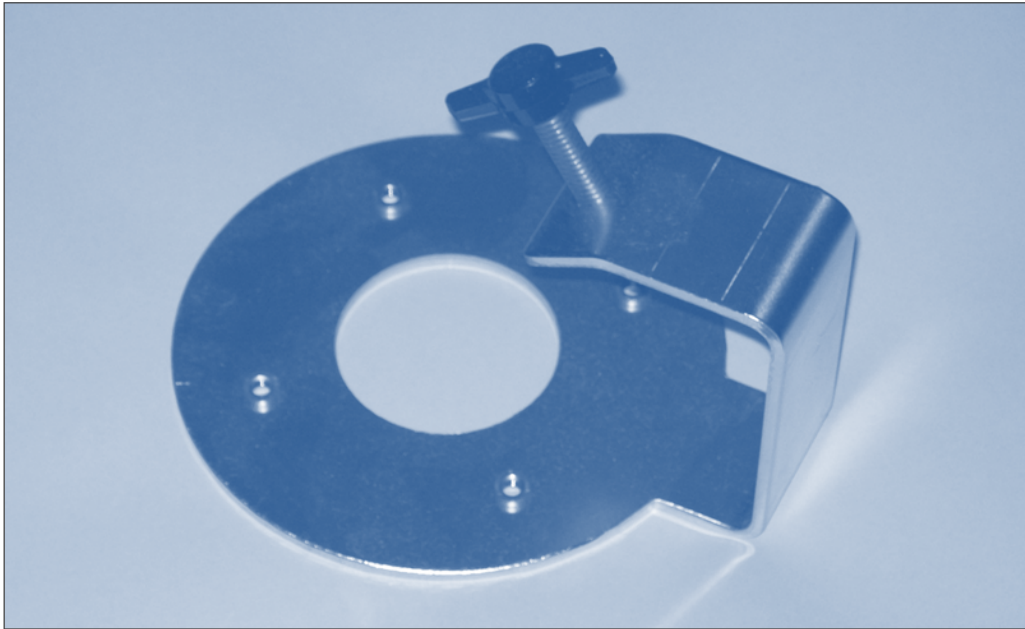


Blast Pipe Clamps



Now any Blast Powercore fixture is easy to hang on a truss or electric pipe.

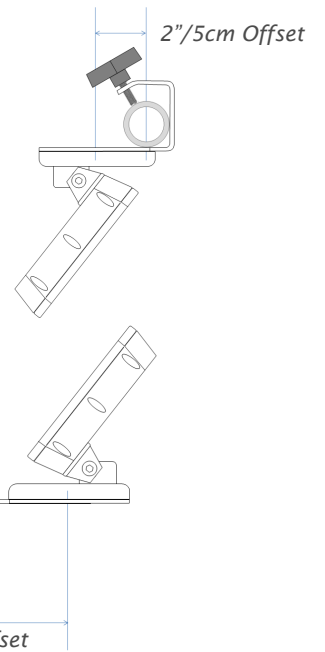
These sturdy plated steel clamps come in two lengths - offsetting the center of the fixture 2"/5cm or 12"/30cm from the pipe, and are available for regular 2"/50mm OD or 1.25"/32mm pipe.

For Use with:

- Philips Color Kinetics Color Blast Powercore
- Philips Color Kinetics eW Blast Powercore
- Philips Color Kinetics iW Blast Powercore

Great for shows, exhibits and temporary installations of all kinds, these clamps screw onto the Blast fixture base, then clamp onto any standard or mini-size pipe or truss.

Use the 2"/5cm offset for normal use, and the longer 12"/30cm offset to light flags or banners hanging on the same pipe.



Part Number	Description	✓
4702.P1	Blast Pipe Clamp, 1.25"/32mm OD pipe, 2"/5cm offset	
4702.P2	Blast Pipe Clamp, 2"/50mm OD pipe, 2"/5cm offset	
4712.P1	Blast Pipe Clamp, 1.25"/32mm OD pipe, 12"/30cm offset	
4712.P2	Blast Pipe Clamp, 2"/50mm OD pipe, 12"/30cm offset	

Job Name	
Location	
Architect	
Designer	

In the interest of continuous product improvement, specifications are subject to change without notice