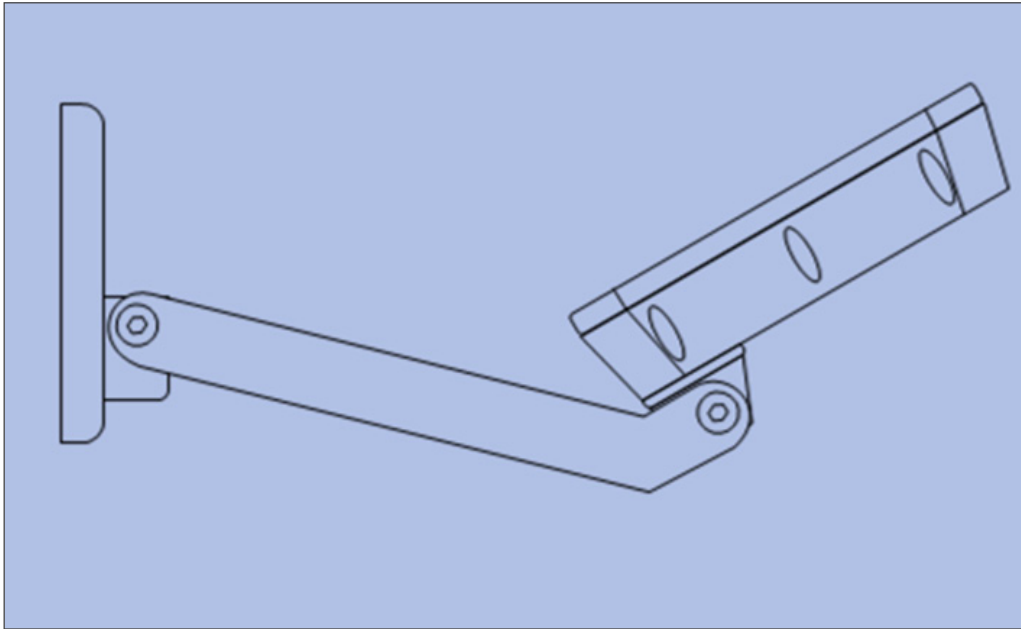


Blast Standoff Arms



Here's a simple way to offset a Blast from a wall or ceiling. These arms install between the Blast fixture body and base, and give you the offset you need to light back up or down a wall, or pick out relief or alcove features.

For Use with:

- Philips Color Kinetics Color Blast Powercore
- Philips Color Kinetics eW Blast Powercore
- Philips Color Kinetics iW Blast Powercore

Tempest Blast Standoff Arms are available in matching Black or White epoxy powder coat finish, and are constructed from heavy-gauge aluminum, for long, corrosion-free life.

Each kit comes complete with all hardware required, including heavy-duty friction washers, to hold the fixture firmly in place in any weather.

Use indoors or out, and in conjunction with Tempest lenses, Egg Crate Louvers and Top Hats, and just see what you can make these fixtures do!

Part Number	Description	✓
4704.AB	Blast Standoff Arm, 4"/10cm, Black	
4704.AW	Blast Standoff Arm, 4"/10cm, White	
4708.AB	Blast Standoff Arm, 8"/20cm, Black	
4708.AW	Blast Standoff Arm, 8"/20cm, White	
4712.AB	Blast Standoff Arm, 12"/30cm, Black	
4712.AW	Blast Standoff Arm, 12"/30cm, White	

Job Name	
Location	
Architect	
Designer	

In the interest of continuous product improvement, specifications are subject to change without notice