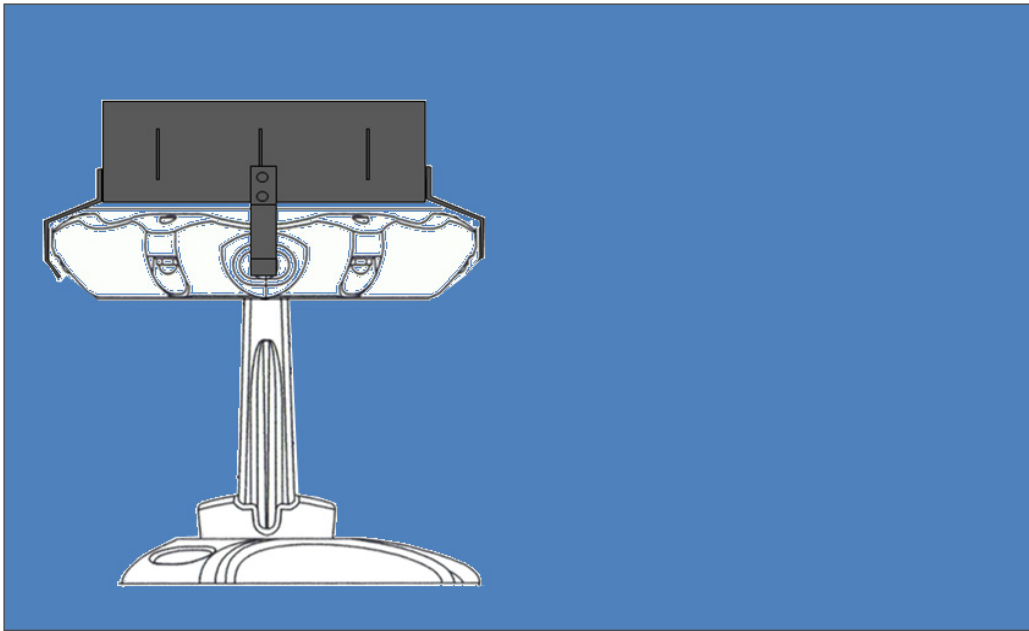


C-Splash Submersible Louver



This Louver eliminates underwater glare in fountains and water features. With a 45 degree cutoff, the louver is constructed entirely from stainless steel, then epoxy primed and coated in matt black.

For Use with:
Philips Color Kinetics C-Splash fixtures

The Louver snaps on to the face of the C-Splash fixture, and sets with a quarter-turn.

All contact between the stainless steel louver and the bronze fixture body is insulated with neoprene pads, to prevent electrolytic corrosion between the two metals underwater.

Part Number	Description	✓
3510.CL	C-Splash Louver	

Job Name	
Location	
Architect	
Designer	

In the interest of continuous product improvement, specifications are subject to change without notice