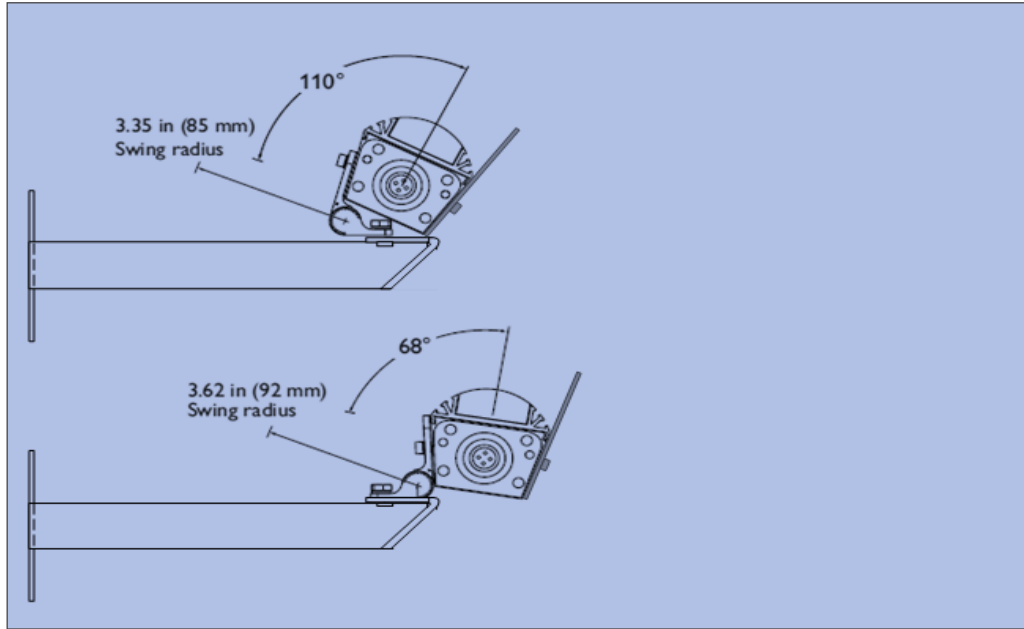


# Graze Standoff Arms



*Graze is the best wall-grazing product out there, and now it's easy to mount to a wall. These brackets fix to any wall, and provide mounting pads for the adjustable mounting hinges provided with each Graze fixture.*

**For Use with:**

- Philips Color Kinetics Color Graze
- Philips Color Kinetics eW Graze

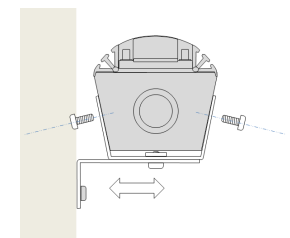
These wall brackets are fabricated from heavy-gauge steel, hot-dip galvanized and then painted a neutral gray. They are sturdy and designed to withstand corrosion outdoors in any climate.

Mounting hinges may be mounted in either orientation on the arms, allowing for a full range of angling options for the Graze fixtures.

Note that the brackets are not designed to support personnel - they are rated for fixture mounting only. Order one pair per Graze fixture, except for the 12"

Graze fixture, where one pair of brackets should be ordered for every two fixtures.

The 4781.99 bracket is designed to mount a Graze fixture very close (1-2"/2.5-5cm) to a wall, with fine adjustment to optimize shadowing. 4781.99 does not support the Graze hinge mount but fixes directly to the fixture body.



Part Number	Description	✓
4781.04	Pair of Graze Standoff Arms, 4"/10cm	
4781.08	Pair of Graze Standoff Arms, 8"/20cm	
4781.12	Pair of Graze Standoff Arms, 12"/30cm	
4781.24	Pair of Graze Standoff Arms, 24"/60cm	
4781.36	Pair of Graze Standoff Arms, 36"/90cm	
4781.99	Pair of adjustable brackets for tight wall mounting	

Job Name	
Location	
Architect	
Designer	

*In the interest of continuous product improvement, specifications are subject to change without notice*

**Tempest Lighting, Inc**  
 13110 Saticoy Street, Unit C, North Hollywood, CA 91605, USA  
 www.tempestlighting.com info@tempestlighting.com  
 t: +1 818 787 8984 f: +1 818 982 5510